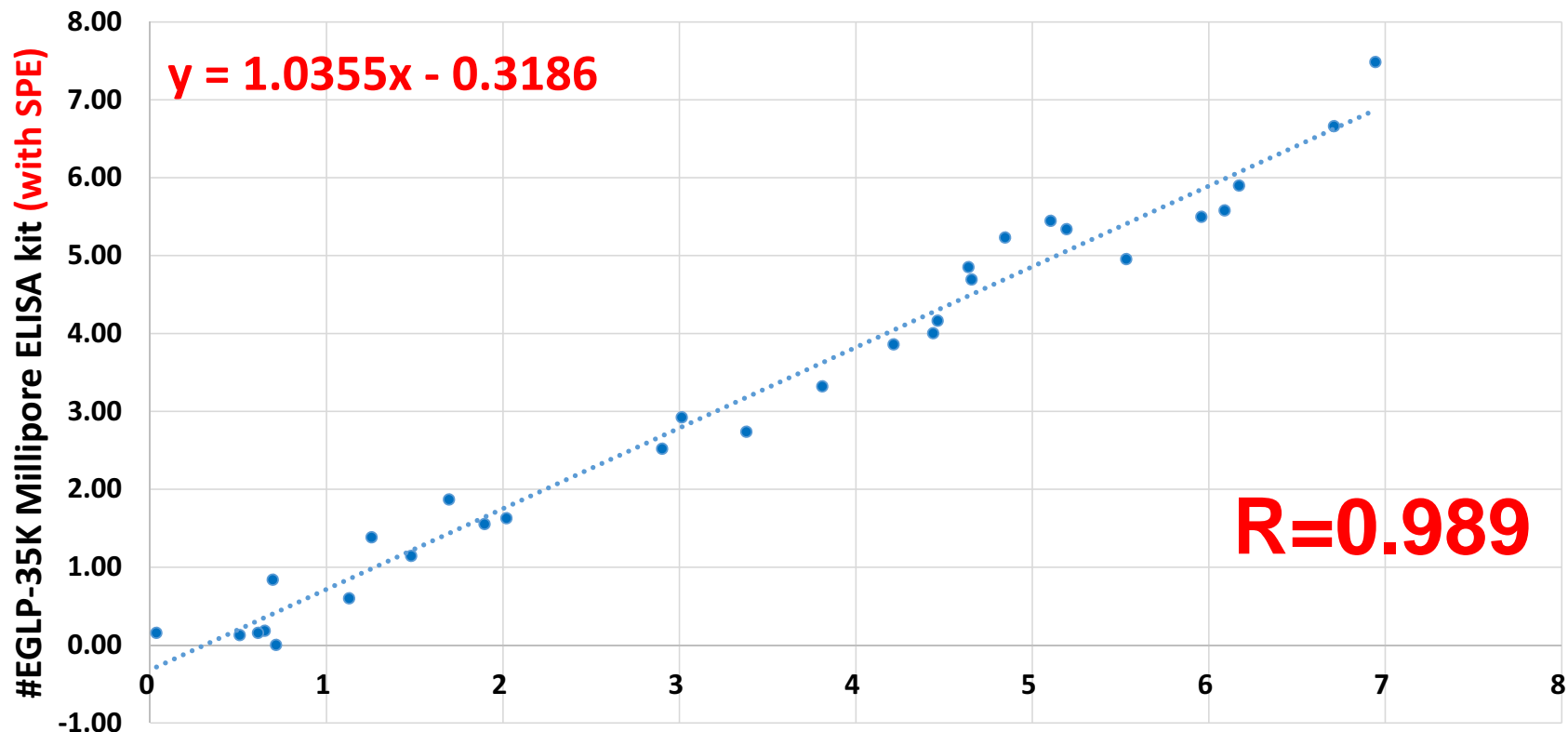


Correlation Data – GLP-1 active (#27700 IBL without SPE vs #EGLP-35K Millipore with SPE)



#27700 GLP-1, Active form (High sensitivity) Assay Kit – IBL (Without SPE)

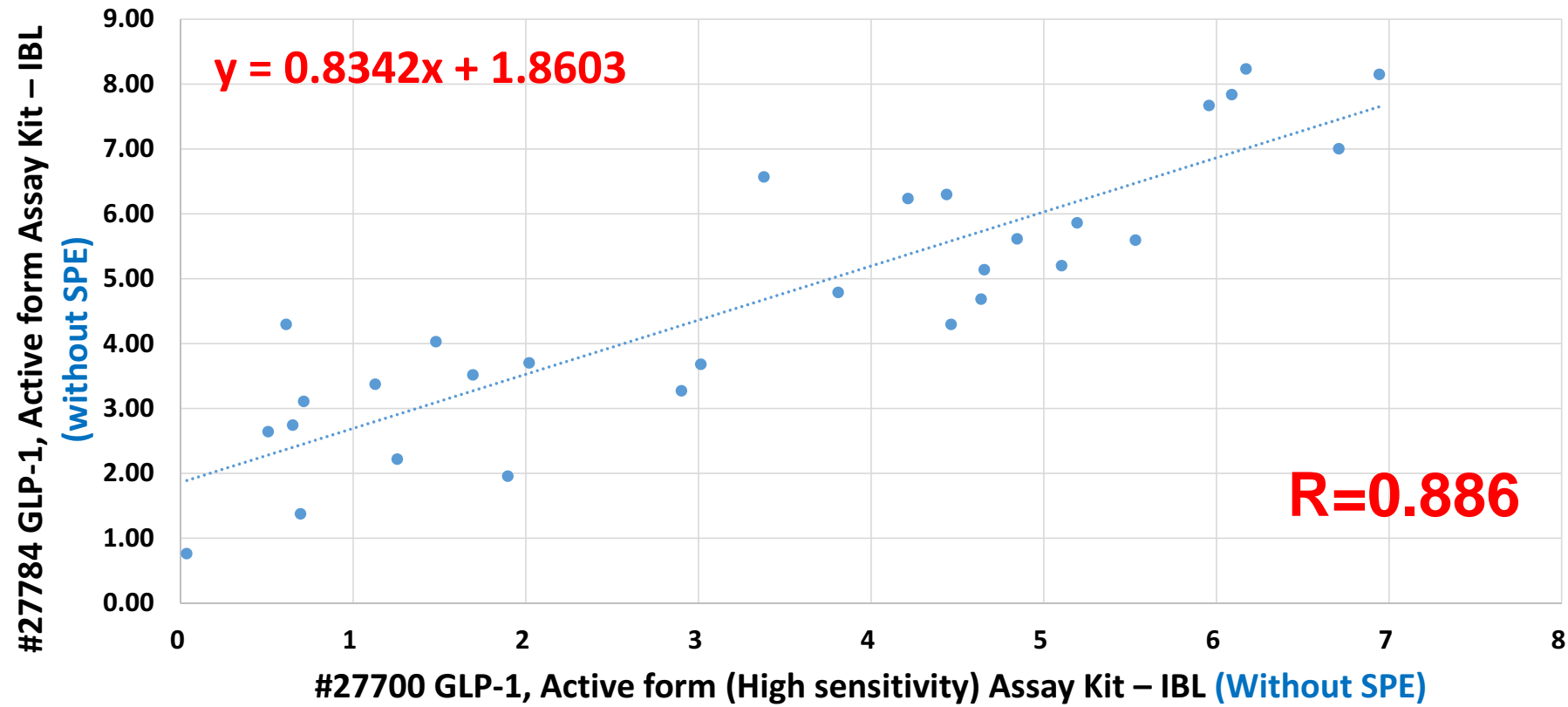
SPE: Solid-Phase Extraction

Distributed by: **Immuno-Biological Laboratories, Inc. (IBL-America)**



8201 Central Ave NE, Suite P, Minneapolis, MN 55432, USA
Call Us : 888-523-1246 Email: info@ibl-america.com
URL: www.ibl-america.com

Correlation Data (#27700 IBL without SPE vs #27784 IBL without SPE)



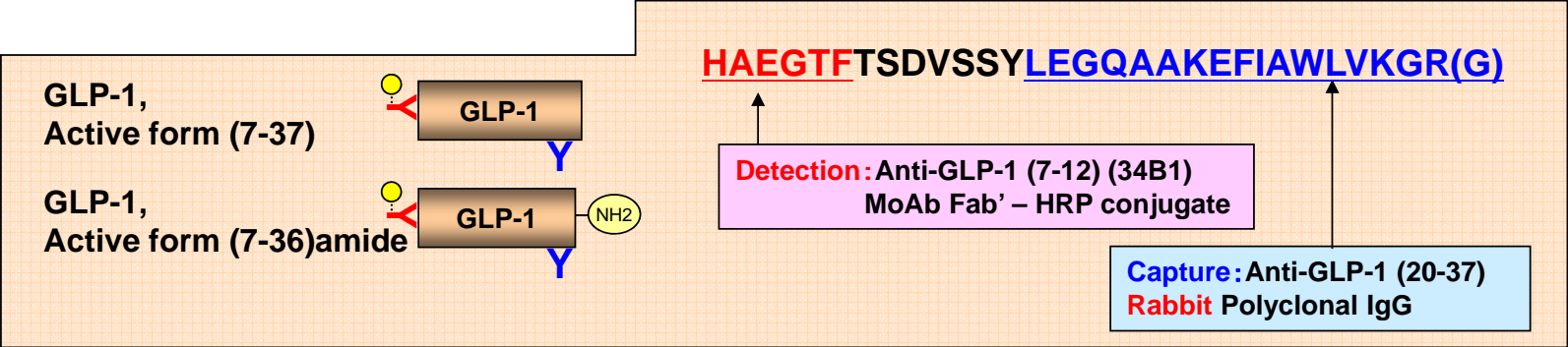
SPE: Solid-Phase Extraction

Distributed by: **Immuno-Biological Laboratories, Inc. (IBL-America)**
8201 Central Ave NE, Suite P, Minneapolis, MN 55432, USA Call Us :
888-523-1246 Email: info@ibl-america.com
URL: www.ibl-america.com

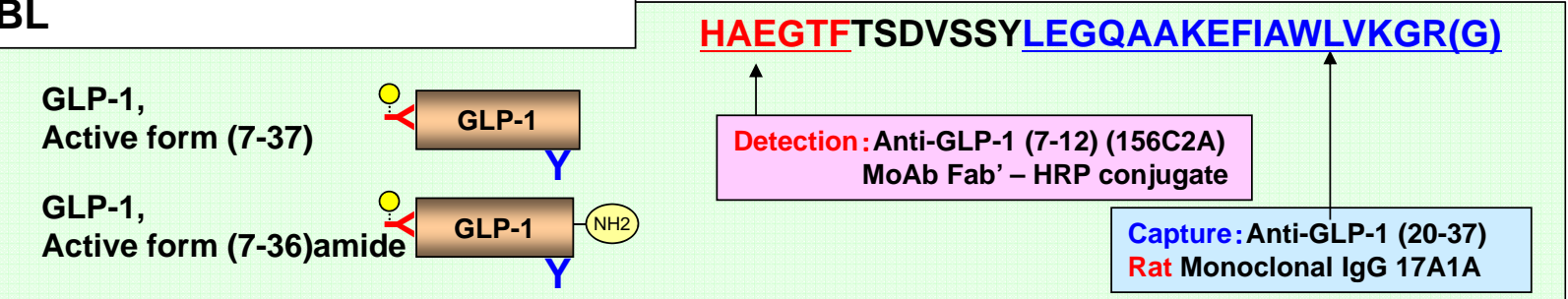


Assay Designs (#27700 / #27784)

#27784 GLP-1, Active form Assay Kit – IBL



#27700 GLP-1, Active form (High sensitivity) Assay Kit – IBL



Distributed by:



Immuno-Biological Laboratories, Inc. (IBL-America)

8201 Central Ave NE, Suite P, Minneapolis, MN 55432, USA Call Us :

888-523-1246 Email: info@ibl-america.com

URL: www.ibl-america.com